

高性能全焊接管线球阀

产品概述 Product overview

高性能全焊接管线球阀是我公司开发的新型产品，广泛使用在石油、天然气长输管线及液化气、煤气等行业作为开-关型控制元件，具有独特而先进的设计：阀体采用两个锻造的半球形体在中部采用一道焊缝焊接而成，使阀门的重量轻，强度和刚度大，同时彻底的消除了介质外漏的可能；球体固定；阀门所有的金属零件完全锻造；阀座的密封设计是采用独特的两道软密封及金属密封形成三次密封，阀座活塞精心设计保证密封可靠，使用寿命长；同时开关扭矩轻，易操作，使用安全，免维护。

High performance all welded pipeline ball valve is our company developed new products, widely used in petroleum, natural gas long distance pipeline and liquid gas type, gas and other industries as the on-off control components, has the unique and advanced design: the valve body adopts two forging the hemisphere form in the middle of using a weld seam welding and become, the valve of light weight, strength and stiffness big, at the same time, completely eliminates the possible leakage of medium; A sphere is fixed; All metal parts of the valve forging completely; The seating design is to use special two soft seal and metal sealing form three sealing, the valve seat piston carefully designed to ensure reliable sealing, long service life; Light switch at the same time torque, easy operation, use safety, maintenance free.

产品特点 Product features

- 全通径或缩径设计。
- 阀体采用 2 个锻造的半球体焊接而成，杜绝了介质的外漏。
- 球体固定，阀杆防吹出，阀杆多级密封。
- 浮动双阀座，双向密封，双软密封圈与金属形成三次密封。
- 双阻塞双泄放 (DBB) 结构。
- 防火设计，符合 API 607/API 6FA。
- 防静电设计，符合 BS5351。
- 中腔超压自动泄放。
- 阀座和阀杆带紧急注脂密封结构及装置。
- 开关灵活，易操作，寿命长，免维护。
- full size or reducing design.
- Low body adopts two forging of half sphere welding and become, prevent the leakage of the medium.
- Low fixed sphere, blow out proof stem, stem multistage seal.
- Floating double seat, two-way sealed and double soft sealing ring and sealing metal forming three times.
- Low double block double discharge (DBB) structure.
- Fire protection design, accord with API 607 6 fa/API.
- Anti-static design, accord with BS5351.
- Low lumen overpressure discharge automatically.
- Low seat and the valve stem with emergency note fat sealing structure and device.
- Low flexible switch, easy to operate, long service life, maintenance free.

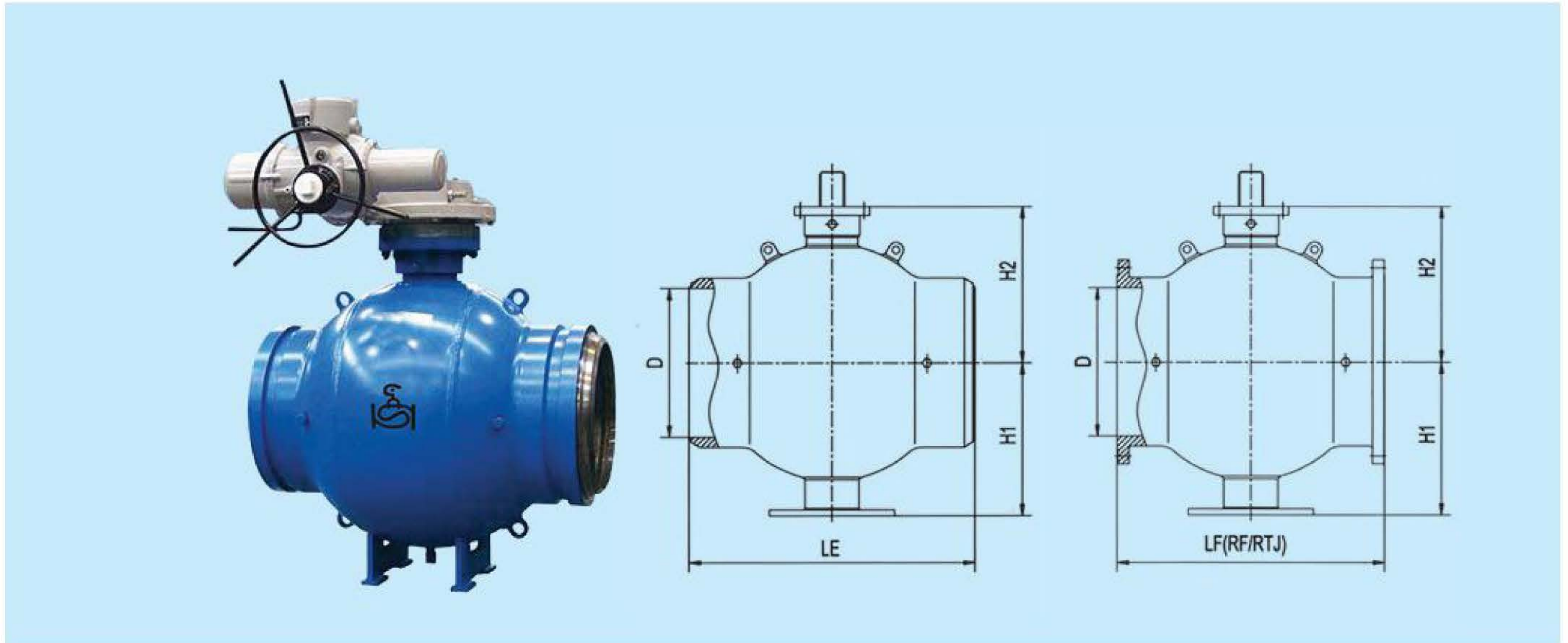
产品采用标准 Product Specification

设计标准 Design standard	端-端连接尺寸 end-to-end connection size	端部连接 End connection	试验和检验 Inspection and test
API 6D & GB/T 19672	ASME API GB	ASME/ANSI B16.5 & B16.47a & B16.25、GB、JBHG、JIS、EN、DIN	API 6D & GB/T 19672

主要零件材料 The major parts material

序号	零件名称 name	标准设计 standard design	低温设计 Low temperature design
1	阀体 body	ASTM A105	ASTM A350 LF2-M
2	球体 sphere	ASTM A105+ENP	ASTM A350 LF2+ENP
3	阀座密封圈 A Seat sealing	VITON	VITON
4	阀座密封圈 B Seat sealing B	PTFE/NYLON/DEVLON/PEEK	PTFE/NYLON/DEVLON/PEEK
5	阀座支撑圈 seat support ring	ASTM A105/A322 4140+ENP	ASTM A350 LF2/A322 4140+ENP
6	阀座弹簧 seat spring	ASTM B637 Inconel X750	ASTM B637 Inconel X750
7	阀座 O 型圈 seat o-rings	VITON	VITON
8	阀杆 stem	ASTM A322 4140+ENP	ASTM A322 4140+ENP
9	耳轴 trunnion	ASTM A322 4140+ENP	ASTM A322 4140+ENP
10	滑动轴承 Sliding bearing	SS+PTFE	SS+PTFE
11	填料函 Stuffing box	ASTM A105/A322 4140+ENP	ASTM A350 LF2/A322 4140+ENP
12	O 型密封圈 Type O sealing ring	Viton	HNBR
13	填料 packing	PTFE/Graphite	PTFE/Graphite
14	填料压套 Packing gland set	ASTM A105+ENP	ASTM A350 LF2+ENP
15	耳轴垫片 Trunnion washer	PTFE	PTFE
16	阀座注脂阀 seat on the valve	SS 组件 component	SS 组件 component
17	阀座注脂阀 seat on the valve	SS 组件 component	SS 组件 component
18	排污阀 Drain valve	SS 组件 component	SS 组件 component
适用介质 Applicable medium		天然气、石油、煤气等 Natural gas, oil, gas, etc	天然气、石油、煤气等 Natural gas, oil, gas, etc
适用温度 Suitable temperature		-29°C ~150°C	-46°C ~150°C

高性能全焊接管线球阀



主要外形尺寸 (mm) Main External and Connection Dimension

型号 type	DN	D	LE	L RF	L RTJ	H1	H2
Q367F/H-16/25	150	150	457	394	406	185	200
	200	201	521	457	470	254	275
	250	252	559	533	546	305	325
	300	303	635	610	622	350	370
	350	334	762	686	699	350	440
	400	385	838	762	775	385	485
	450	436	914	864	876	420	522
	500	487	991	914	927	480	565
	550	538	1092	1016	-	535	605
	600	589	1143	1067	1080	585	645
	650	633	1245	1143	-	625	680
	700	684	1346	1245	-	650	721
	750	735	1397	1295	-	685	777
	800	779	1524	1372	-	720	810
	850	830	1626	1473	-	765	855
	900	874	1727	1524	-	795	891
	1000	976	1780	1727	-	890	990
	1050	1020	1830	1830	-	925	1030
1100	1066	1880	1905	-	960	1067	
1200	1166	2020	2057	-	1080	1165	
1400	1360	2048	2362	-	1205	1328	

高性能全焊接管线球阀

主要外形尺寸 (mm) Main External and Connection Dimension

型号 type	DN	D	LE	L RF	L RTJ	H1	H2
Q367F/H -40/50	150	150	403	403	419	185	200
	200	201	521	502	518	254	275
	250	252	559	568	584	305	325
	300	303	635	648	664	350	370
	350	334	762	762	778	350	440
	400	385	838	838	854	385	485
	450	436	914	914	930	420	522
	500	487	991	991	1010	480	565
	550	538	1092	1092	1114	535	605
	600	589	1143	1143	1165	585	645
	650	633	1245	1245	1270	625	680
	700	684	1346	1346	1372	650	721
	750	735	1397	1397	1422	685	777
	800	779	1524	1524	1553	720	810
	850	830	1626	1626	1654	765	855
	900	874	1727	1727	1756	795	891
	1000	976	1780	1803	-	890	990
	1050	1020	1830	1880	-	925	1030
1100	1066	1880	1956	-	960	1067	
1200	1166	2020	2134	-	1080	1165	
1400	1360	2048	2498	-	1205	1328	
Q367F/H -100	150	150	559	559	562	185	200
	200	201	660	660	664	254	275
	250	252	787	787	791	305	325
	300	303	838	838	841	350	370
	350	334	889	889	892	350	440
	400	385	991	991	994	385	485
	450	436	1092	1092	1095	420	522
	500	487	1194	1194	1200	480	565
	550	538	1295	1295	1305	535	605
	600	589	1397	1397	1407	585	645
	650	633	1148	1148	1461	625	680
	700	684	1549	1549	1562	650	721
	750	735	1651	1651	1664	685	777
	800	779	1778	1778	1794	720	810
	850	830	1930	1930	1946	765	855
	900	874	2083	2083	2099	795	891
	1000	976	2100	2159	2174	910	990
	1050	1020	2200	2235	2250	945	1030
1100	1066	2200	2311	2327	980	1067	
1200	1166	2300	2489	2504	1100	1165	
1400	1384	2500	2921	2936	1225	1328	