

Y型料浆阀



产品概述 Product overview

Y型料浆阀采用直通式结构，流阻小、不容易结疤，左右阀体分开式，两阀体之间夹有阀座，维修时只需拆开两阀体的螺栓就可清洗或修理，若有损坏的零件也可以及时更换，阀体内腔受冲刷较严重的部位装有硬质合金的保护衬板，在开启阀门时，可以保护阀体不被介质冲刷、腐蚀，从而大大地提高了阀门的使用寿命，密封面之间堆焊硬质合金，硬度高。

Y type slurry valve adopts straight-through type structure, small flow resistance, not easy to scar, around the body separate, between the valve body with the seat, only need to open two body bolts when maintenance can clean or repair, if there are damaged parts can change in time, the body cavity flushing of serious parts equipped with hard alloy protective lining, when open the valve, can protect the body from the medium erosion, corrosion, thus greatly improves the service life of the valve, sealing surface between the built-up welding hard alloy, high hardness.

产品用途 Product use

料浆阀主要用于铝业、化工、石油、冶金等行业广泛使用。料浆阀根据实际情况的需要，要求达到“三耐一防”的高性能，即耐磨、耐压、耐冲刷、防止结疤，放底结构设计为凸型，操作方式，手动、伞齿轮、气动、电动。

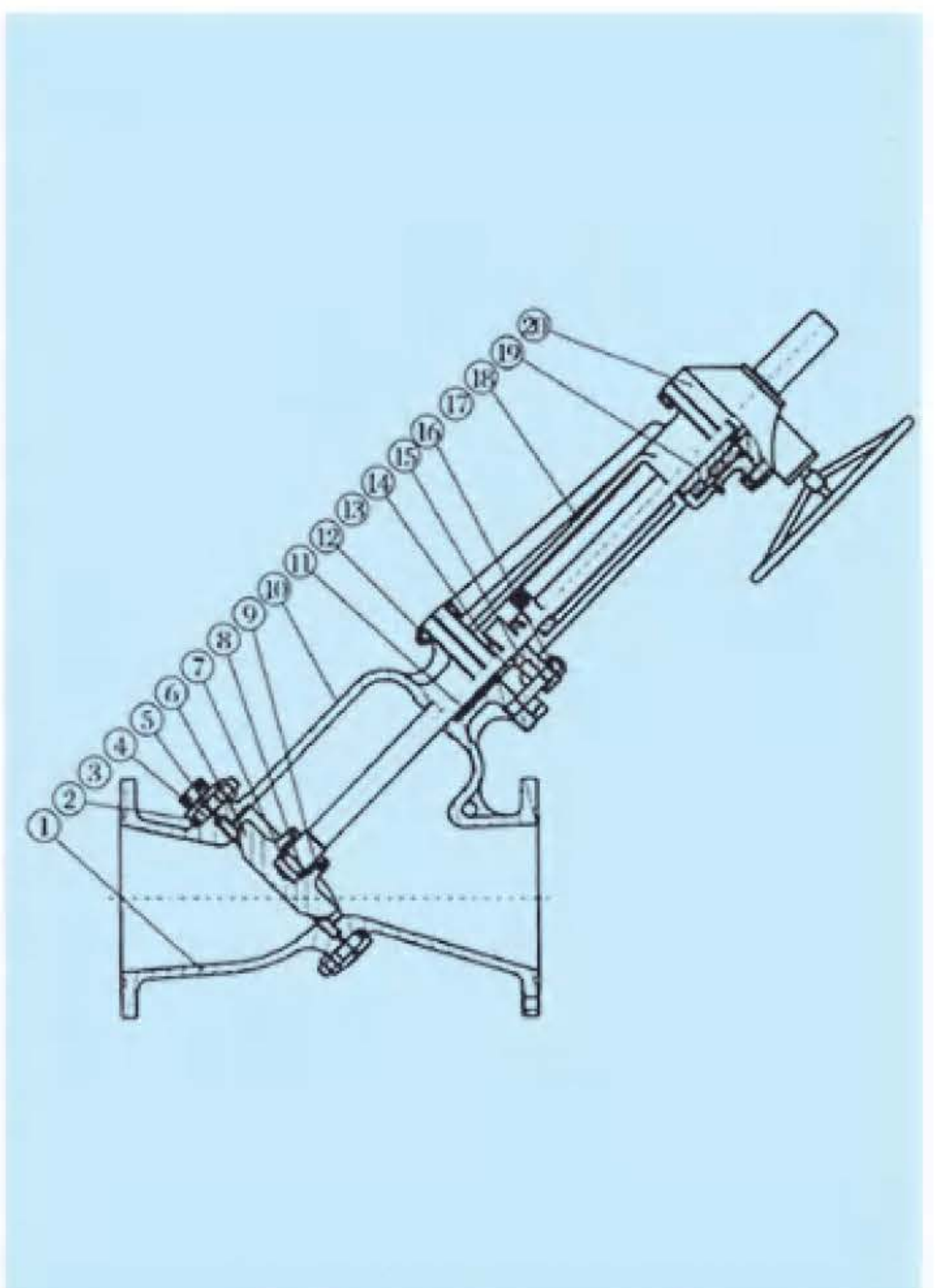
Slurry valve is mainly used in aluminum industry, chemical industry, petroleum, metallurgy and other industries widely used. The needs of slurry valve according to the actual situation, to achieve "three prevention" resistance of high performance, namely, wear-resisting, compression, scouring resistance, prevent scarring, put bottom structure design of convex type, operating mode, manual, bevel gear, pneumatic, electric.

产品采用标准 Technical specification

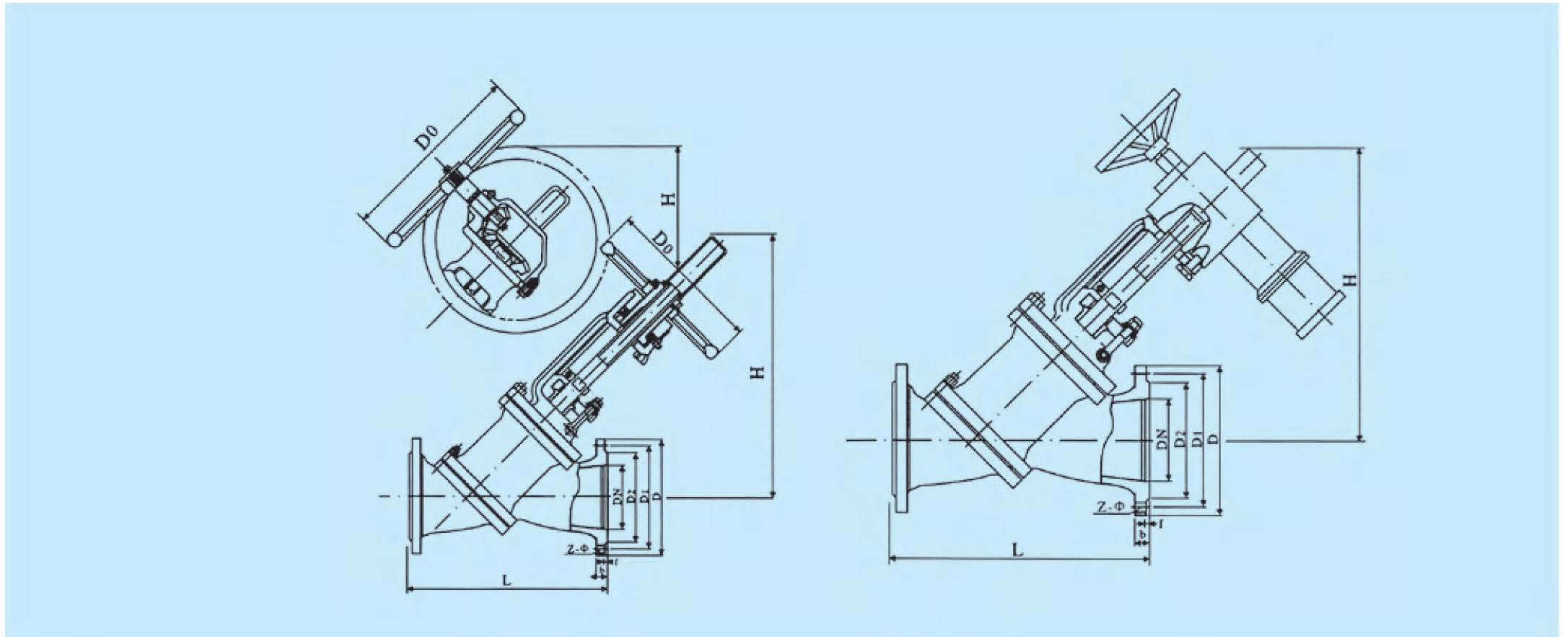
设计标准 Design standard	结构长度 Structural length	连接法兰 Flanged ends	试验和检验 Inspection and test
GB 12235	GB 12221	JB78 JB79	GB/T 13927

主要零件材质 The major parts material

No.	零件名称 parts name	材质 material(API)	材质 material(GB)
1	左阀体 Left the body	ASTM A216 Gr.WCB	A216 Gr.WCB
2	螺柱 stud	ASTM A193 Gr.B7	35
3	螺母 nut	ASTM A194 Gr.2H	45
4	垫片 gasket	柔性石墨 Flexible graphite+ 不锈钢 stainless steel	柔性石墨 Flexible graphite+ 不锈钢 stainless steel
5	阀座 seat	ASTM A105+HF	25+ 硬质合金 Cemented carbide
6	阀瓣 disc	ASTM A105+HF	25+ 硬质合金 Cemented carbide
7	阀杆 stem	ASTM A182 Gr.F6a	1Cr13
8	二合环 Composite ring	ASTM A182 Gr.F6a	1Cr13
9	阀瓣卡套 disc card set	ASTM A105	25
10	右阀体 Right the body	ASTM A216 Gr.WCB+Alloy Steel	A216 Gr.WCB
11	填料 packing	Graphite	柔性石墨 Flexible graphite
12	螺栓 bolt	ASTM A193 Gr.B7	35
13	螺母 nut	ASTM A194 Gr.2H	45
14	填料压套 Packing gland set	ASTM A182 Gr.F6a	1Cr13
15	填料压盖 Packing gland	ASTM A216 Gr.WCB	A216 Gr.WCB
16	活节螺栓 Eyelet bolt	ASTM A193 Gr.B7	35
17	螺母 nut	ASTM A194 Gr.2H	45
18	支架 stents	ASTM A216 Gr.WCB	A216 Gr.WCB
19	阀杆螺母 Stem nut	Alloy Copper	QAL9-4
20	手轮 handwheel	Ductile iron	



Y型料浆阀



主要外形尺寸 The main dimension (mm) JY45Y JY545Y JY645Y JY945Y (GB)

PN	DN	驱动方式 Drive way	L	D	D1	D2	b	Z-Φd	f	Do	H	电动装置型号 Electric actuator type	
1.0 MPa	50	手动 manual	230	160	125	100	20	4-Φ18	3	250	320	-	
	80	手动 manual	310	195	160	135	22	4-Φ18	3	250	390	-	
	100	手动 manual	350	215	180	155	22	8-Φ18	3	250	420	-	
	125	手动 manual	400	245	210	185	24	8-Φ18	3	320	510	-	
	150	手动 manual	480	280	240	210	24	8-Φ23	3	360	595	-	
	200		齿动 Tooth movement	600	335	295	265	26	8-Φ23	3	450	800	-
			电动 electric	600	335	295	265	26	8-Φ23	3	305	980	Z30
	250		齿动 Tooth movement	730	390	350	320	28	12-Φ23	3	500	920	-
			电动 electric	730	390	350	320	28	12-Φ23	3	305	1025	Z45
	300		齿动 Tooth movement	850	440	400	368	28	12-Φ23	4	450	1035	-
			电动 electric	850	440	400	368	28	12-Φ23	4	305	1050	Z60
	350		齿动 Tooth movement	980	500	460	428	30	16-Φ23	4	600	1140	-
电动 electric			980	500	460	428	30	16-Φ23	4	305	1080	Z120	
400		齿动 Tooth movement	1100	565	515	482	32	16-Φ25	4	600	1240	-	

Y型料浆阀

主要外形尺寸 The main dimension (mm) JY45Y JY545Y JY645Y JY945Y (GB)

PN	DN	驱动方式 Drive way	L	D	D1	D2	b	Z-Φd	f	Do	H	电动装置型号 Electric actuator type	
1.6 MPa	50	手动 manual	230	160	125	100	16	4-Φ18	3	250	320	-	
	80	手动 manual	310	195	160	135	20	8-Φ18	3	250	390	-	
	100	手动 manual	350	215	180	155	20	8-Φ18	3	250	420	-	
	125	手动 manual	400	245	210	185	22	8-Φ18	3	320	510	-	
	150	手动 manual	480	280	240	210	24	8-Φ23	3	360	595	-	
	200		齿动 Tooth movement	600	335	295	265	26	12-Φ23	3	450	800	-
			电动 electric	600	335	295	265	26	12-Φ23	3	305	980	Z45
	250		齿动 Tooth movement	730	405	355	320	30	12-Φ25	3	450	920	-
			电动 electric	730	405	355	320	30	12-Φ25	3	305	1025	Z60
	300		齿动 Tooth movement	850	460	410	375	30	12-Φ25	4	450	1075	-
电动 electric			850	460	410	375	30	12-Φ25	4	305	1050	Z120	
350		齿动 Tooth movement	980	520	470	435	34	16-Φ25	4	600	1140	-	
		电动 electric	980	520	470	435	34	16-Φ25	4	305	1080	Z180	
400		齿动 Tooth movement	1100	580	525	485	36	16-Φ30	4	600	1240	-	
2.5 MPa	50	手动 manual	230	160	125	100	20	4-Φ18	3	250	320	-	
	80	手动 manual	310	195	160	135	22	8-Φ18	3	250	390	-	
	100	手动 manual	350	230	190	160	24	8-Φ23	3	250	420	-	
	125	手动 manual	400	270	220	188	28	8-Φ25	3	320	510	-	
	150	手动 manual	480	300	250	218	30	8-Φ25	3	360	595	-	
	200		齿动 Tooth movement	600	360	310	278	34	12-Φ25	3	450	800	-
			电动 electric	600	360	310	278	34	12-Φ25	3	305	980	Z60
	250		齿动 Tooth movement	730	425	370	332	36	12-Φ30	3	450	920	-
			电动 electric	730	425	370	332	36	12-Φ30	3	305	1025	Z90
	300		齿动 Tooth movement	850	485	430	390	40	16-Φ30	4	450	1075	-
电动 electric			850	485	430	390	40	16-Φ30	4	305	1050	Z180	
350		齿动 Tooth movement	980	550	490	448	44	16-Φ34	4	600	1140	-	
		电动 electric	980	550	490	448	44	16-Φ34	4	305	1080	Z250	
400		齿动 Tooth movement	1100	610	550	505	48	16-Φ34	4	600	1240	-	